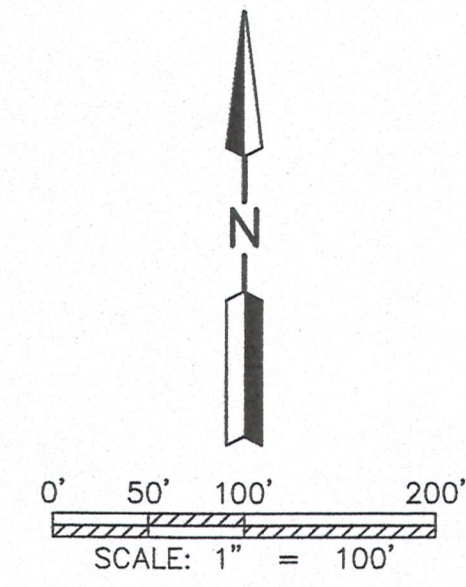
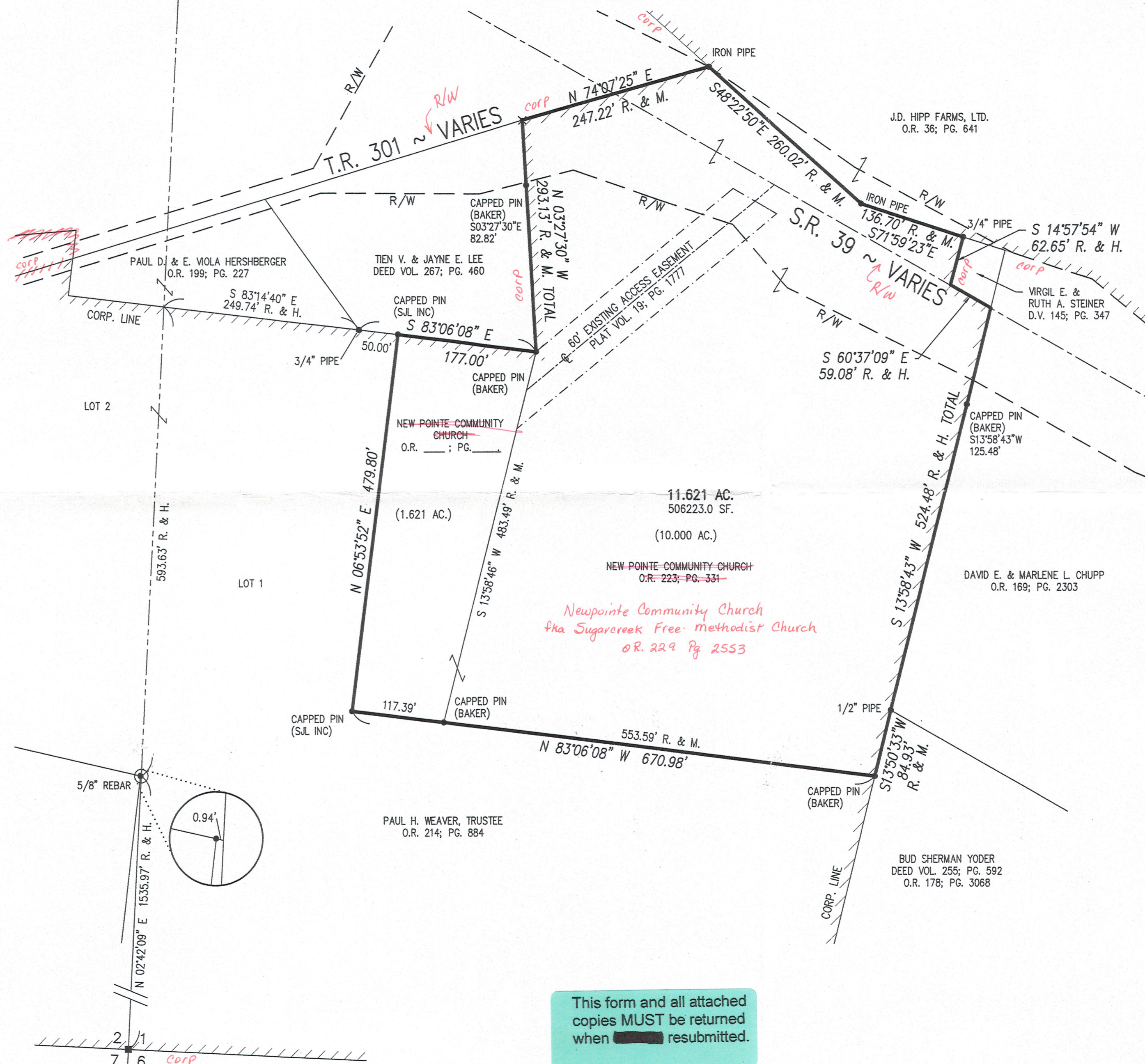


2nd Qtr
16 | 1
3rd Qtr

MAR 1 '12 AM 9:40

MAP OF SURVEY
PART OF LOT 1
3rd QTR. T-9; R-7
VILLAGE OF MILLERSBURG
HARDY TOWNSHIP
HOLMES COUNTY, OHIO



- STONE FOUND
 - × SPIKE FOUND
 - I.P. OR PIPE FOUND
 - 5/8" REBAR SET WITH I.D. CAP MARKED SJL INC
- R. = RECORD
M. = MEASURED
H. = HELD
- REFERENCE SURVEY
VOL. 17; PG. 234
VOL. 17; PG. 763
O.R. 18; PG. 814
O.R. 19; PG. 988
O.R. 19; PG. 1584
O.R. 19; PG. 1777
- BASIS OF BEARING for this survey based on grid north of the Ohio State Plane Coordinate System.

Distances shown hereon are expressed in feet and decimal parts thereof, bearings are used to express angles only, iron pins or monuments were found or set as indicated hereon. All of which I believe to be correct to the best of my knowledge.



By: Mark E. Purdy, P.S. #7307 Date _____

PRELIMINARY FOR REVIEW ONLY

SHAFFER, JOHNSTON, LICHTENWALTER & ASSOCIATES, INC.
Consulting Engineers & Surveyors
3477 Commerce Parkway, Suite C
Wooster, Ohio 44691
TEL (330) 345-6377 FAX (330) 345-6725 EMAIL sjl@sjl-inc.com

DRAWN C. Falb	CHECKED	1" SCALE = 100'	DATE 02/27/12
DWG NO: EW-2405-SURVEY2		JOB NO: EW-2405	
SHEET 1 OF 1			

This form and all attached copies MUST be returned when [redacted] resubmitted.

Date should be after 1/6/12 ac transferred